

Series 04

Versatile. Robust and reliable.

<https://eao.com/04>



04 Information about the Series

Key advantages

- Versatile and reliable range of products
- Ideal for driver's cabs
- Modern and robust design
- Safe and ergonomically friendly in use
- Pronounced tactile feedback
- Customised and standardised markings

Typical application areas

- Driver's desks
- Control panels
- Control cabinets
- Special vehicles
- Machinery

Functions

- Pushbutton
- Illuminated pushbutton
- Mushroom-head pushbutton
- Selector switch
- Keylock switch
- Key insert switch
- Lever switch
- Indicator
- Potentiometer
- Stop switch
- Emergency stop switch

Design

- Flush
- Raised

IP front protection

- IP40
- IP54
- IP65
- IP67

Rating

- 500 VAC (10 A)

Mounting cut-outs

- Ø 22.3 mm
- Ø 30.5 mm
- 30 mm x 30 mm

Terminal

- Plug-in terminal
- Double plug-in terminal
- Screw terminal
- Push-in terminal (PIT)

Lens Material

- Aluminium
- Stainless steel
- Plastic

Markings

- Engraving
- Hot stamping
- Pad printing
- Screen print
- Under eloxal printing

Approvals

- CB (IEC 60947)
- CCC
- CSA
- DNV GL (previously Germanischer Lloyd)
- GOST
- NFF 16-102
- UL

Conformities

- CE
- EN 45545
- ECE R 118
- 2006/42/EU (MD)
- 2011/65/EU (RoHS)
- REACH

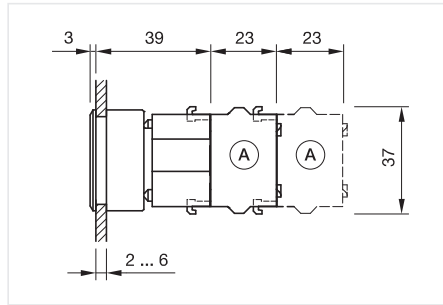


04 Flush design

Pushbutton square, IP65



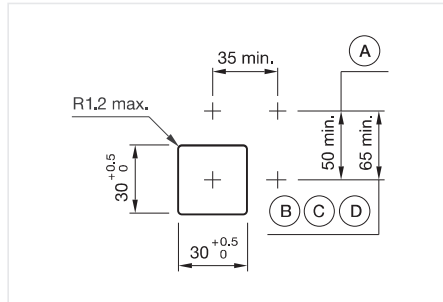
Product can differ from the current configuration.



Dimensions [mm]
A = Screw terminal

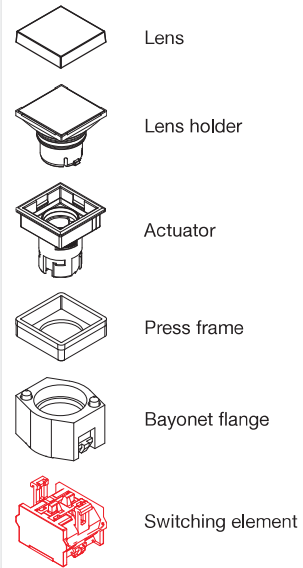
General information

- Max. 3 switching elements can be clipped on



Mounting cut-outs [mm]
A = Screw terminal
B = Push-in terminal (PIT)
C = Plug-in terminal 6.3 mm x 0.8 mm
D = Double plug-in terminal 6.3 mm x 0.8 mm

Equipment consisting of (schematic overview)



Page 213

Each Part Number listed below includes all the black components shown in the 3D-drawing.

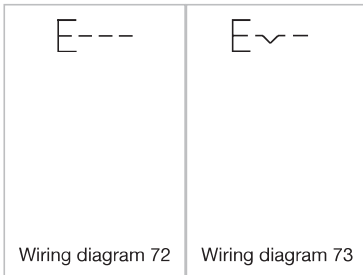
To obtain a complete unit, please select the red components from the pages shown.



Actuator, Front dimension 35 mm x 35 mm

Switching action	Front bezel colour	Front bezel material	Lens colour	Lens material	Housing colour	Housing material	Part No.	Wiring diagram
Momentary	Black	Plastic	Black	Plastic	Black	Plastic	704.209.000	72
	Black	Plastic	Red	Plastic	Black	Plastic	704.209.200	72
	Black	Plastic	Yellow	Plastic	Black	Plastic	704.209.400	72
	Black	Plastic	Green	Plastic	Black	Plastic	704.209.500	72
	Black	Plastic	Blue	Plastic	Black	Plastic	704.209.600	72
	Black	Plastic	Colourless	Plastic	Black	Plastic	704.209.700	72
	Silver	Plastic	Black	Plastic	Black	Plastic	704.210.008	72
	Silver	Plastic	Red	Plastic	Black	Plastic	704.210.208	72
	Silver	Plastic	Yellow	Plastic	Black	Plastic	704.210.408	72
	Silver	Plastic	Green	Plastic	Black	Plastic	704.210.508	72
	Silver	Plastic	Blue	Plastic	Black	Plastic	704.210.608	72
	Silver	Plastic	Colourless	Plastic	Black	Plastic	704.210.708	72
Maintained	Black	Plastic	Red	Plastic	Black	Plastic	704.239.200	73
	Black	Plastic	Yellow	Plastic	Black	Plastic	704.239.400	73
	Black	Plastic	Blue	Plastic	Black	Plastic	704.239.600	73
	Black	Plastic	Colourless	Plastic	Black	Plastic	704.239.700	73
	Silver	Plastic	Red	Plastic	Black	Plastic	704.240.208	73
	Silver	Plastic	Yellow	Plastic	Black	Plastic	704.240.408	73
	Silver	Plastic	Green	Plastic	Black	Plastic	704.240.508	73
	Silver	Plastic	Colourless	Plastic	Black	Plastic	704.240.708	73

Wiring diagrams



01

02

03

04

09

14

17

18

19

22

31

41

45

51

56

57

61

70

71

82

84

92

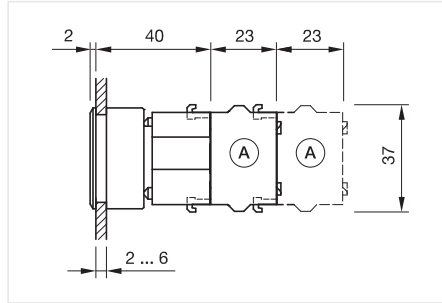
96

04 Flush design

Pushbutton round, IP65



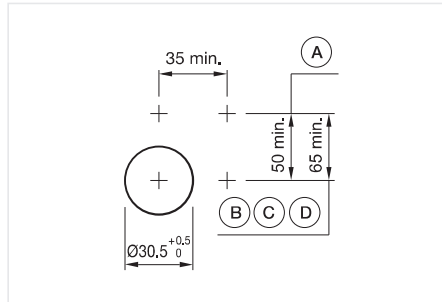
Product can differ from the current configuration.



Dimensions [mm]
A = Screw terminal

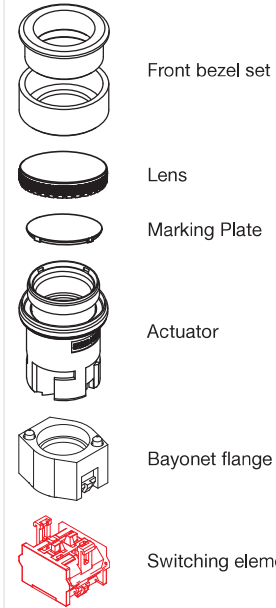
General information

- Max. 3 switching elements can be clipped on
- The colour of anodised aluminium parts can vary due to technical production reasons



Mounting cut-outs [mm]
A = Screw terminal
B = Push-in terminal (PIT)
C = Plug-in terminal 6,3 mm x 0,8 mm
D = Double plug-in terminal 6,3 mm x 0,8 mm

Equipment consisting of (schematic overview)



Each Part Number listed below includes all the black components shown in the 3D-drawing.

To obtain a complete unit, please select the red components from the pages shown.

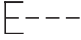

Page 213



Actuator, Front dimension Ø 35 mm

Switching action	Front bezel colour	Front bezel material	Front bezel surface	Lens colour	Lens material	Housing colour	Housing material	Part No.	Wiring diagram
Momentary	Nature	Aluminium	anodised	Black	Aluminium	Grey	Plastic	704.011.018	72
	Nature	Aluminium	anodised	Red	Aluminium	Grey	Plastic	704.011.218	72
	Nature	Aluminium	anodised	Gold	Aluminium	Grey	Plastic	704.011.418	72
	Nature	Aluminium	anodised	Olive green	Aluminium	Grey	Plastic	704.011.518	72
	Nature	Aluminium	anodised	Blue	Aluminium	Grey	Plastic	704.011.618	72
	Nature	Aluminium	anodised	Nature	Aluminium	Grey	Plastic	704.011.818	72
	Nature	Aluminium	anodised	Black	Plastic	Grey	Plastic	704.012.018	72
	Nature	Aluminium	anodised	Red	Plastic	Grey	Plastic	704.012.218	72
	Nature	Aluminium	anodised	Yellow	Plastic	Grey	Plastic	704.012.418	72
	Nature	Aluminium	anodised	Green	Plastic	Grey	Plastic	704.012.518	72
	Nature	Aluminium	anodised	Blue	Plastic	Grey	Plastic	704.012.618	72
	Nature	Aluminium	anodised	Colourless	Plastic	Grey	Plastic	704.012.718	72
Maintained	Nature	Aluminium	anodised	Black	Plastic	Grey	Plastic	704.042.018	73
	Nature	Aluminium	anodised	Red	Plastic	Grey	Plastic	704.042.218	73
	Nature	Aluminium	anodised	Yellow	Plastic	Grey	Plastic	704.042.418	73
	Nature	Aluminium	anodised	Green	Plastic	Grey	Plastic	704.042.518	73
	Nature	Aluminium	anodised	Blue	Plastic	Grey	Plastic	704.042.618	73
	Nature	Aluminium	anodised	Colourless	Plastic	Grey	Plastic	704.042.718	73

Wiring diagrams

	
Wiring diagram 72	Wiring diagram 73

01

02

03

04

09

14

17

18

19

22

31

41

45

51

56

57

61

70

71

82

84

92

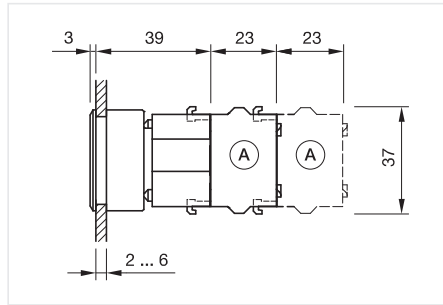
96

04 Flush design

Pushbutton square, IP65



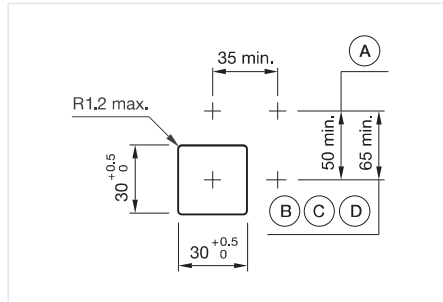
Product can differ from the current configuration.



Dimensions [mm]
A = Screw terminal

General information

- Max. 3 switching elements can be clipped on



Mounting cut-outs [mm]
A = Screw terminal
B = Push-in terminal (PIT)
C = Plug-in terminal 6,3 mm x 0,8 mm
D = Double plug-in terminal 6,3 mm x 0,8 mm

Equipment consisting of (schematic overview)

	Lens	Page 199
	Lens holder	Page 201
	Actuator	
	Press frame	
	Bayonet flange	Page 203
	Switching element	Page 213

Each Part Number listed below includes all the black components shown in the 3D-drawing.

To obtain a complete unit, please select the red components from the pages shown.



Actuator, Front dimension 35 mm x 35 mm

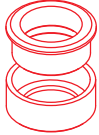



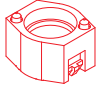
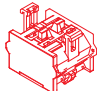
Switching action	Front bezel colour	Front bezel material	Housing colour	Housing material	Part No.	Wiring diagram
Momentary	Black	Plastic	Black	Plastic	704.741.0	72
	Silver	Plastic	Black	Plastic	704.741.8	72
Maintained	Black	Plastic	Black	Plastic	704.742.0	73
	Silver	Plastic	Black	Plastic	704.742.8	73

Wiring diagrams

E---	E~--
Wiring diagram 72	Wiring diagram 73

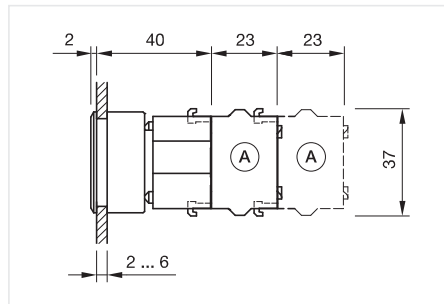
Pushbutton round, IP65

Equipment consisting of (schematic overview)

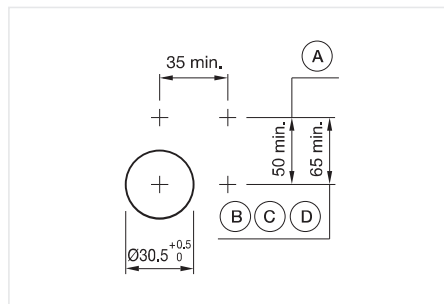
	Front bezel set	Page 202
	Lens	Page 199
	Marking Plate	Page 201
	Actuator	
	Bayonet flange	Page 203
	Switching element	Page 213

Each Part Number listed below includes all the black components shown in the 3D-drawing.

To obtain a complete unit, please select the red components from the pages shown.



Dimensions [mm]
A = Screw terminal



Mounting cut-outs [mm]
A = Screw terminal
B = Push-in terminal (PIT)
C = Plug-in terminal 6,3 mm x 0,8 mm
D = Double plug-in terminal 6,3 mm x 0,8 mm



Product can differ from the current configuration.

General information

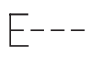
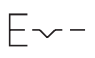
- Max. 3 switching elements can be clipped on
- The colour of anodised aluminium parts can vary due to technical production reasons



Actuator, Front dimension Ø 35 mm

Switching action	Housing colour	Housing material	Part No.	Wiring diagram
Momentary	Grey	Plastic	704.631.1	72
Maintained	Grey	Plastic	704.632.1	73

Wiring diagrams

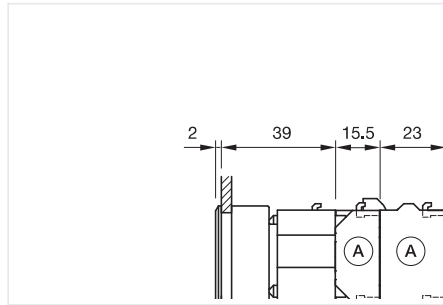
	
Wiring diagram 72	Wiring diagram 73

04 Flush design

Illuminated pushbutton square, IP65



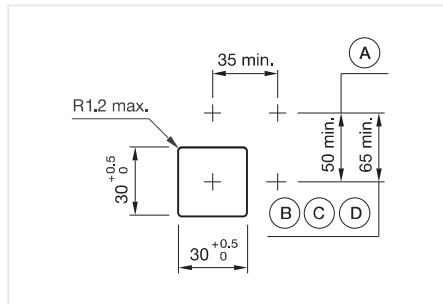
Product can differ from the current configuration.



Dimensions [mm]
A = Screw terminal

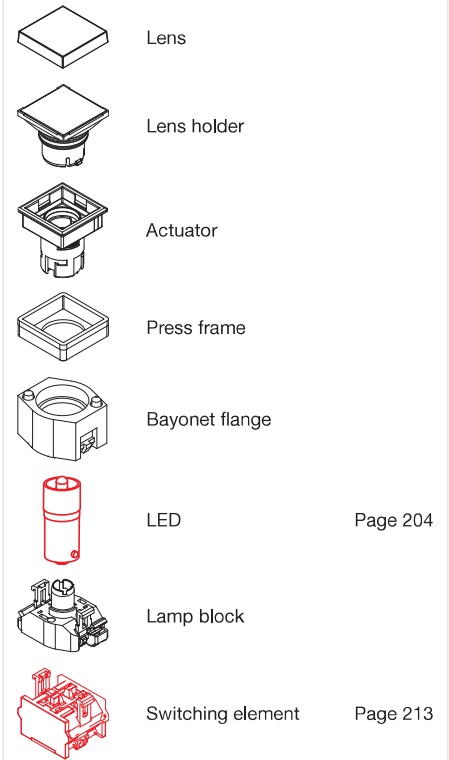
General information

- Max. 3 switching elements can be clipped on
- The lamp block will be delivered with screw terminal



Mounting cut-outs [mm]
A = Screw terminal
B = Push-in terminal (PIT)
C = Plug-in terminal 6.3 mm x 0.8 mm
D = Double plug-in terminal 6.3 mm x 0.8 mm

Equipment consisting of (schematic overview)



Each Part Number listed below includes all the black components shown in the 3D-drawing.

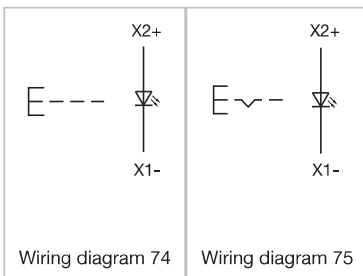
To obtain a complete unit, please select the red components from the pages shown.



Actuator, Front dimension 35 mm x 35 mm

Switching action	Front bezel colour	Front bezel material	Lens colour	Lens material	Housing colour	Housing material	Part No.	Wiring diagram
Momentary	Black	Plastic	Red	Plastic	Black	Plastic	704.229.200	74
	Black	Plastic	Yellow	Plastic	Black	Plastic	704.229.400	74
	Black	Plastic	Green	Plastic	Black	Plastic	704.229.500	74
	Black	Plastic	Blue	Plastic	Black	Plastic	704.229.600	74
	Black	Plastic	Colourless	Plastic	Black	Plastic	704.229.700	74
	Silver	Plastic	Red	Plastic	Black	Plastic	704.230.208	74
	Silver	Plastic	Yellow	Plastic	Black	Plastic	704.230.408	74
	Silver	Plastic	Green	Plastic	Black	Plastic	704.230.508	74
	Silver	Plastic	Blue	Plastic	Black	Plastic	704.230.608	74
	Silver	Plastic	Colourless	Plastic	Black	Plastic	704.230.708	74
Maintained	Black	Plastic	Red	Plastic	Black	Plastic	704.259.200	75
	Black	Plastic	Yellow	Plastic	Black	Plastic	704.259.400	75
	Black	Plastic	Green	Plastic	Black	Plastic	704.259.500	75
	Black	Plastic	Blue	Plastic	Black	Plastic	704.259.600	75
	Black	Plastic	Colourless	Plastic	Black	Plastic	704.259.700	75
	Silver	Plastic	Red	Plastic	Black	Plastic	704.260.208	75
	Silver	Plastic	Yellow	Plastic	Black	Plastic	704.260.408	75
	Silver	Plastic	Green	Plastic	Black	Plastic	704.260.508	75
	Silver	Plastic	Blue	Plastic	Black	Plastic	704.260.608	75
	Silver	Plastic	Colourless	Plastic	Black	Plastic	704.260.708	75

Wiring diagrams



- 01
- 02
- 03
- 04**
- 09
- 14
- 17
- 18
- 19
- 22
- 31
- 41
- 45
- 51
- 56
- 57
- 61
- 70
- 71
- 82
- 84
- 92
- 96



EAO Downloads.
www.eao.com/downloads
EAO creates possibilities. Since 1947.



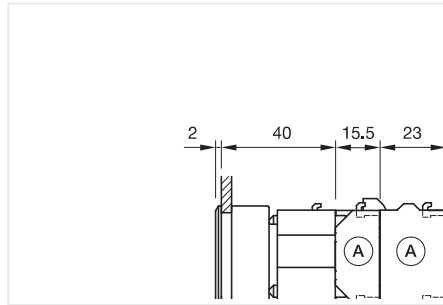
[On our website you can download technical data, assembly instructions, catalogs, brochures and much more.](http://www.eao.com/downloads)

04 Flush design

Illuminated pushbutton round, IP65



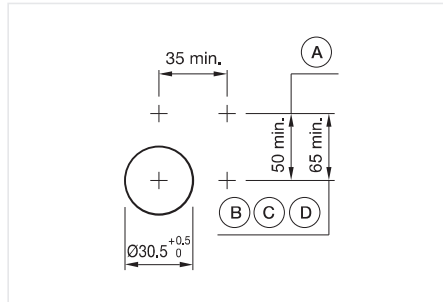
Product can differ from the current configuration.



Dimensions [mm]
A = Screw terminal

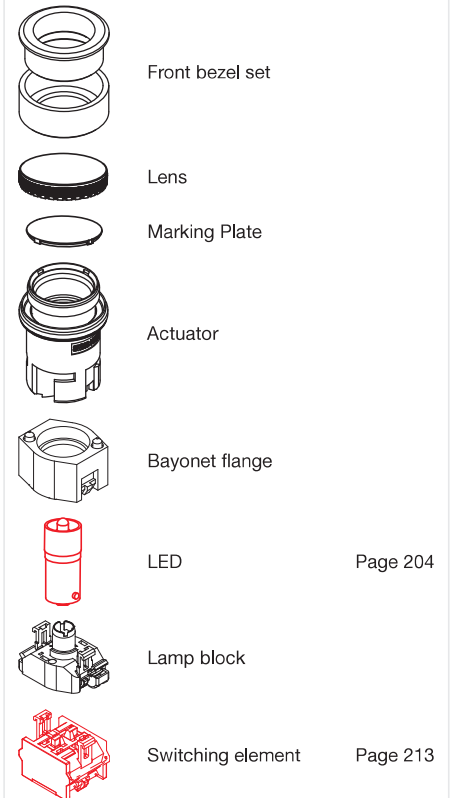
General information

- Max. 3 switching elements can be clipped on
- The lamp block will be delivered with screw terminal
- The colour of anodised aluminium parts can vary due to technical production reasons



Mounting cut-outs [mm]
A = Screw terminal
B = Push-in terminal (PIT)
C = Plug-in terminal 6.3 mm x 0.8 mm
D = Double plug-in terminal 6.3 mm x 0.8 mm

Equipment consisting of (schematic overview)



Page 204

Page 213

Each Part Number listed below includes all the black components shown in the 3D-drawing.

To obtain a complete unit, please select the red components from the pages shown.



Actuator, Front dimension Ø 35 mm

Switching action	Front bezel colour	Front bezel material	Front bezel surface	Lens colour	Lens material	Housing colour	Housing material	Part No.	Wiring diagram
Momentary	Nature	Aluminium	anodised	Red	Plastic	Grey	Plastic	704.032.218	74
	Nature	Aluminium	anodised	Yellow	Plastic	Grey	Plastic	704.032.418	74
	Nature	Aluminium	anodised	Green	Plastic	Grey	Plastic	704.032.518	74
	Nature	Aluminium	anodised	Blue	Plastic	Grey	Plastic	704.032.618	74
	Nature	Aluminium	anodised	Colourless	Plastic	Grey	Plastic	704.032.718	74
Maintained	Nature	Aluminium	anodised	Red	Plastic	Grey	Plastic	704.062.218	75
	Nature	Aluminium	anodised	Yellow	Plastic	Grey	Plastic	704.062.418	75
	Nature	Aluminium	anodised	Green	Plastic	Grey	Plastic	704.062.518	75
	Nature	Aluminium	anodised	Blue	Plastic	Grey	Plastic	704.062.618	75
	Nature	Aluminium	anodised	Colourless	Plastic	Grey	Plastic	704.062.718	75